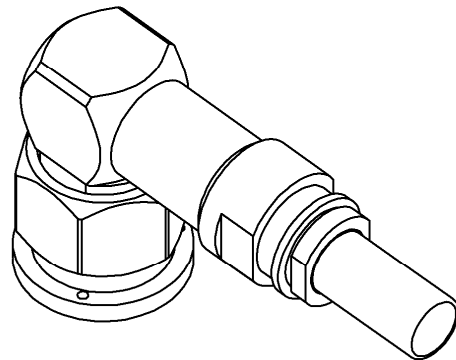
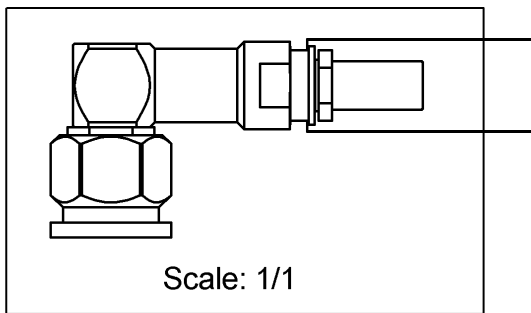
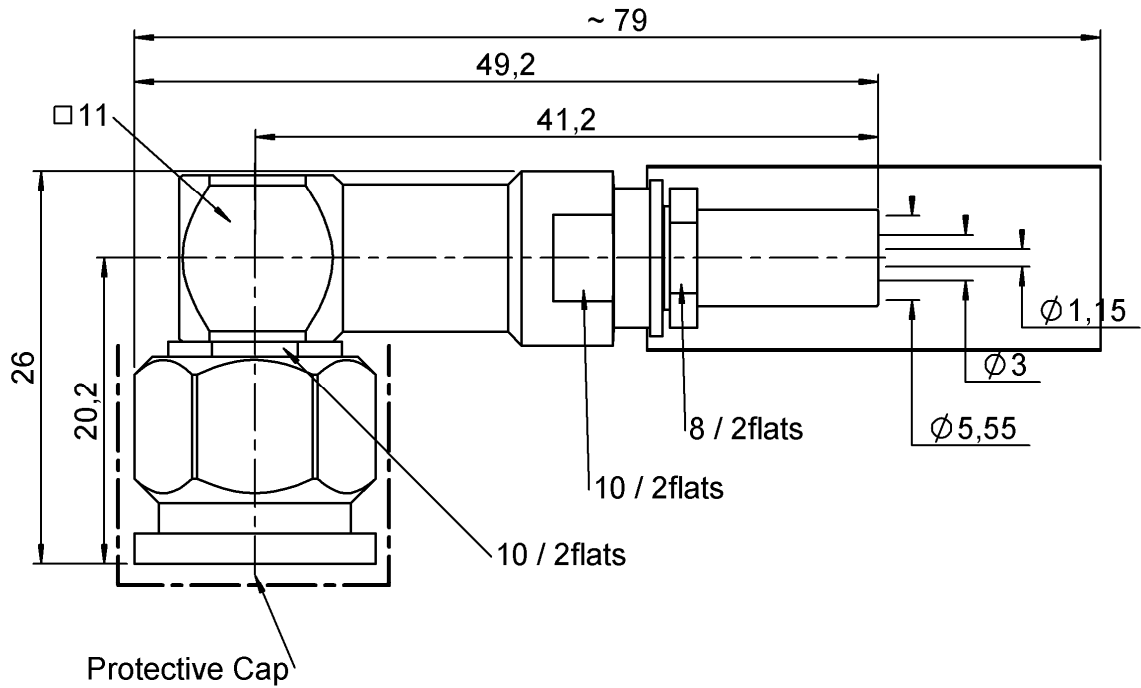


RIGHT ANGLE PLUG CRIMP TYPE

R143.183.300

CABLE 5/50 D

Series : TNC



All dimensions are in mm.



COMPONENTS	MATERIALS	PLATING (µm)
BODY	-	PASSIVATED
CENTER CONTACT	BERYLLIUM COPPER, BRASS	GOLD 0.5 OVER NICKEL 2
OUTER CONTACT	-	PASSIVATED
INSULATOR	PTFE	
GASKET	SILICONE RUBBER	
OTHERS PARTS	-	PASSIVATED
.	-	-
.	-	-

Issue : 0812 B

In the effort to improve our products, we reserve the right to make changes judged to be necessary.



RIGHT ANGLE PLUG CRIMP TYPE

R143.183.300

CABLE 5/50 D

Series : TNC

PACKAGING

Standard	Unit	Other
100	'W' option	Contact us

SPECIFICATION

ASNE0461 - -

ELECTRICAL CHARACTERISTICS

Impedance		50 Ω
Frequency		0-4 GHz
VSWR	1.35 +	0,0000 x F(GHz) Maxi
Insertion loss		0.175 √F(GHz) dB Maxi
RF leakage	- (57 - F(GHz)) dB Maxi
Voltage rating		500 Veff Maxi
Dielectric withstanding voltage		1000 Veff mini
Insulation resistance		5000 MΩ mini

CABLE ASSEMBLY

Stripping	a	b	c	d	e	f
mm	9,00	9,00	23,0	0,00	14,0	0,00

Assembly instruction :

Recommended cable(s)

RG 400

RG 223

KX 23

Characteristics indicated on this data sheet are those that can be achieved with the highest performance cable. Intrinsic limitations of the cable may diminish the performance of the assembly

Cable retention

- pull off	220 N mini
- torque	NA N.cm

MECHANICAL CHARACTERISTICS

Center contact retention		
Axial force – Mating end	27	N mini
Axial force – Opposite end	27	N mini
Torque	NA	N.cm mini

TOOLING

Part Number	Description	Hexagon
.	.	.
R282.223.000	CRIMPING TOOL	1.73 - 5.41
R282.235.009	CRIMPING DIES M22520/5.09	1.73
R282.246.000	CRIMPING DIES M22520/5-05	5.41
R282.293.000	CRIMPING TOOL M22520/5-01	-

Recommended torque		
Mating	265	N.cm
Panel nut	NA	N.cm
Clamp nut	370	N.cm
A/F clamp nut	8,0000	mm

Mating life	500	Cycles mini
Weight	29,3380	g

ENVIRONMENTAL

Operating temperature	-65/+165	° C
Hermetic seal	NA	Atm.cm3/s
Panel leakage	NA	

OTHER CHARACTERISTICS

Ferrule

- Machoire: R282.246.000: M 22520/5-05

- Pince: R282.293.000: M22520/5-01

Issue : 0812 B

In the effort to improve our products, we reserve the right to make changes judged to be necessary.

